

# Errata / Addendum for first edition of *Knitting Stories*

The errata for the first edition are as follows (*these apply to the first edition only*):

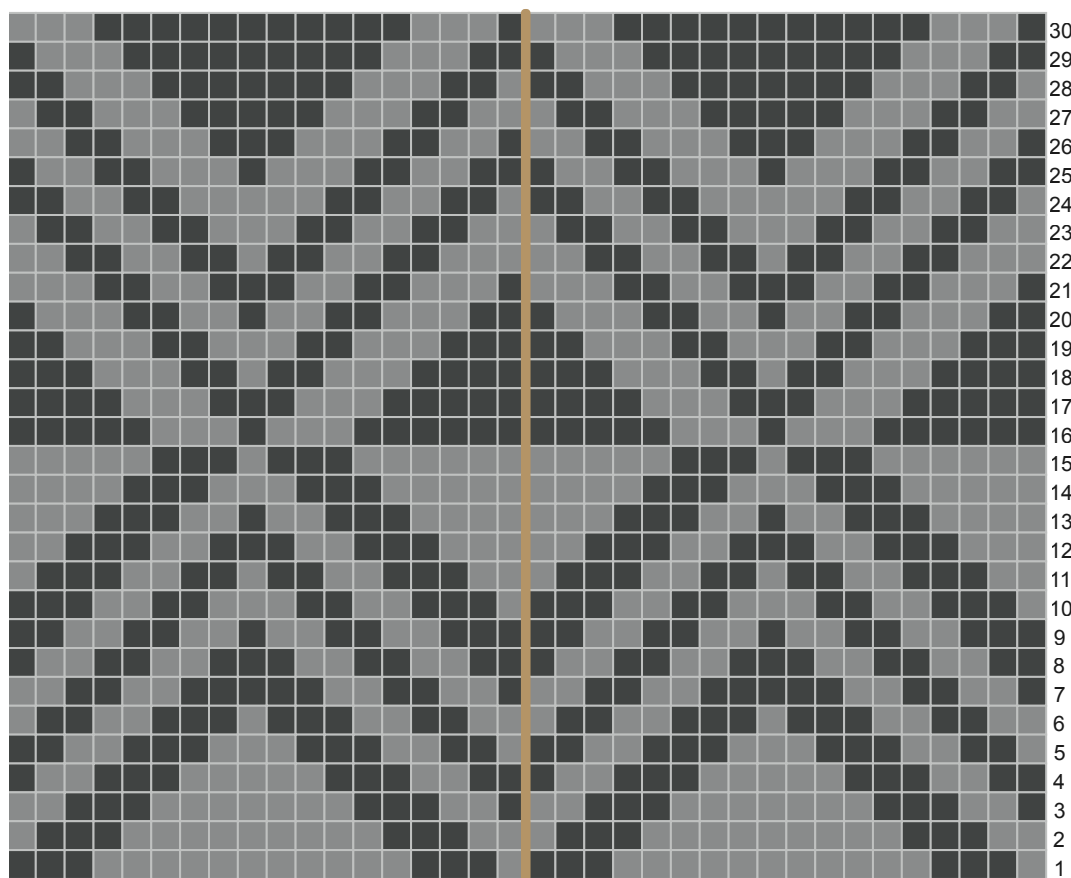
## Yetsa's Bolero

Yarn: s/b Native Twist Erin Worsted (gauge the same). <https://www.imperialyarn.com/erin-worsted-3-ply>

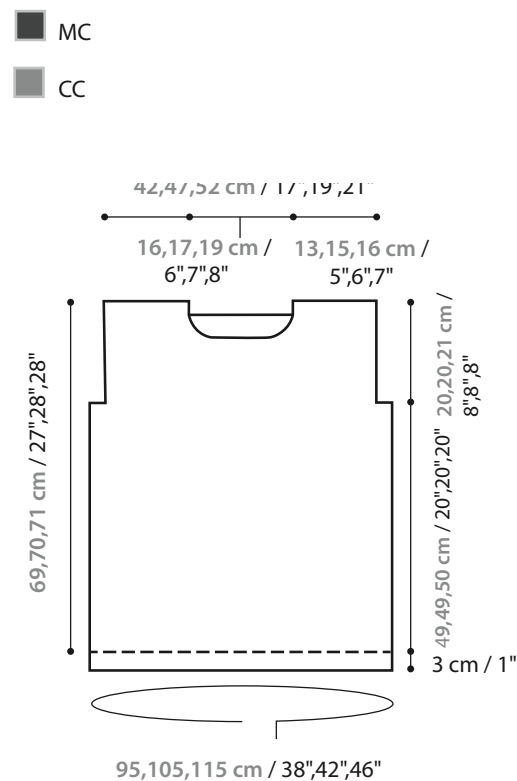
## Women's Mirror-image Sweater

Chart on page 105 was missing last row on left hand side.

Diagram had extra "knob" on left vertical measurement line.

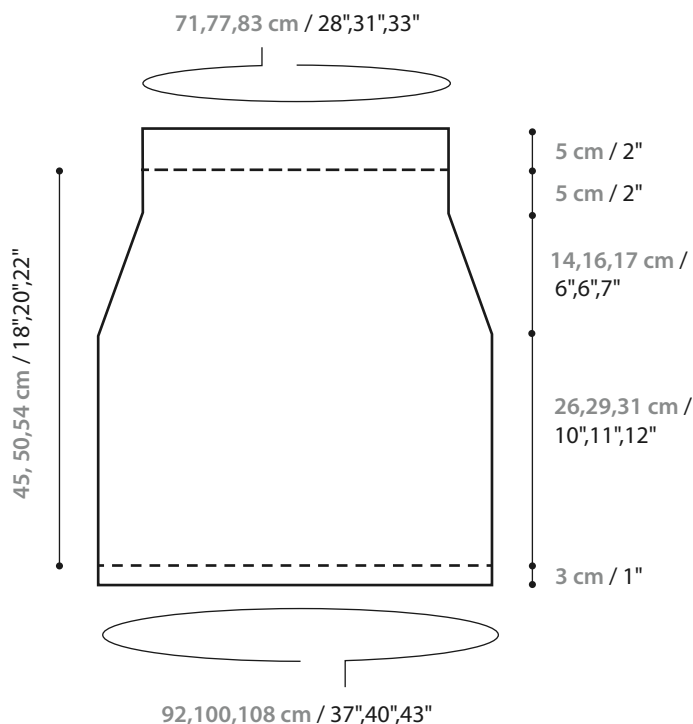


18 st repeat



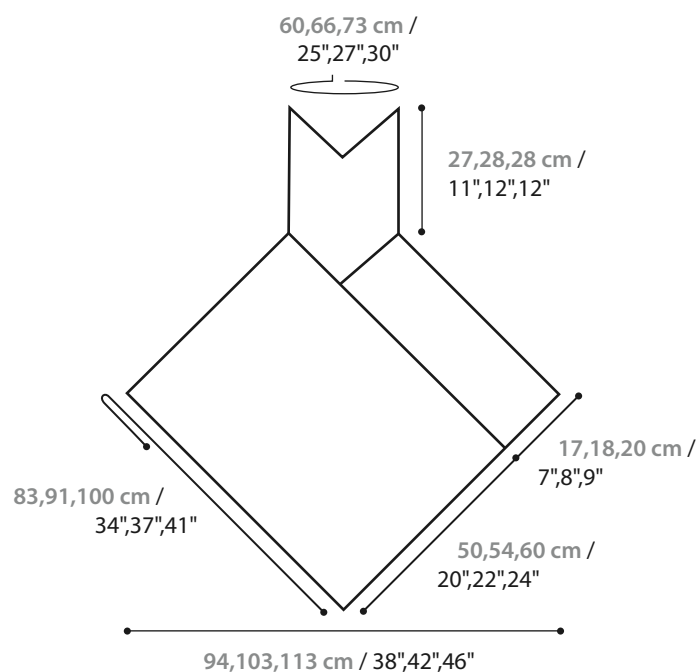
## Skirt in the Round

Diagram had extra "knob" on left vertical measurement line.



## The Olsen Family Poncho

Diagram was missing "knob".



## Fingerless Gloves

Page 138, right column, should read as:

**Yarn:** Brooklyn Tweed Loft 100% wool, Fingering wt 50 g/1.75 oz, 248 m/275 yd per skein.

Rnds 81, 82 Break off CC-1; with CC-2 knit. (or, use any of the colours), knit. Rnd 83 knit Rnd 84 purl.  
CC-2 is the very light grey pictured as the finishing band of the gloves.

---

*If you are aware of any other errors, please don't hesitate to contact Sono Nis Press by email at: [info@sononis.com](mailto:info@sononis.com)*